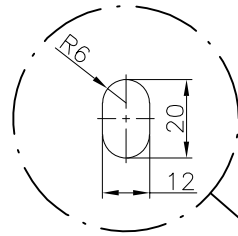
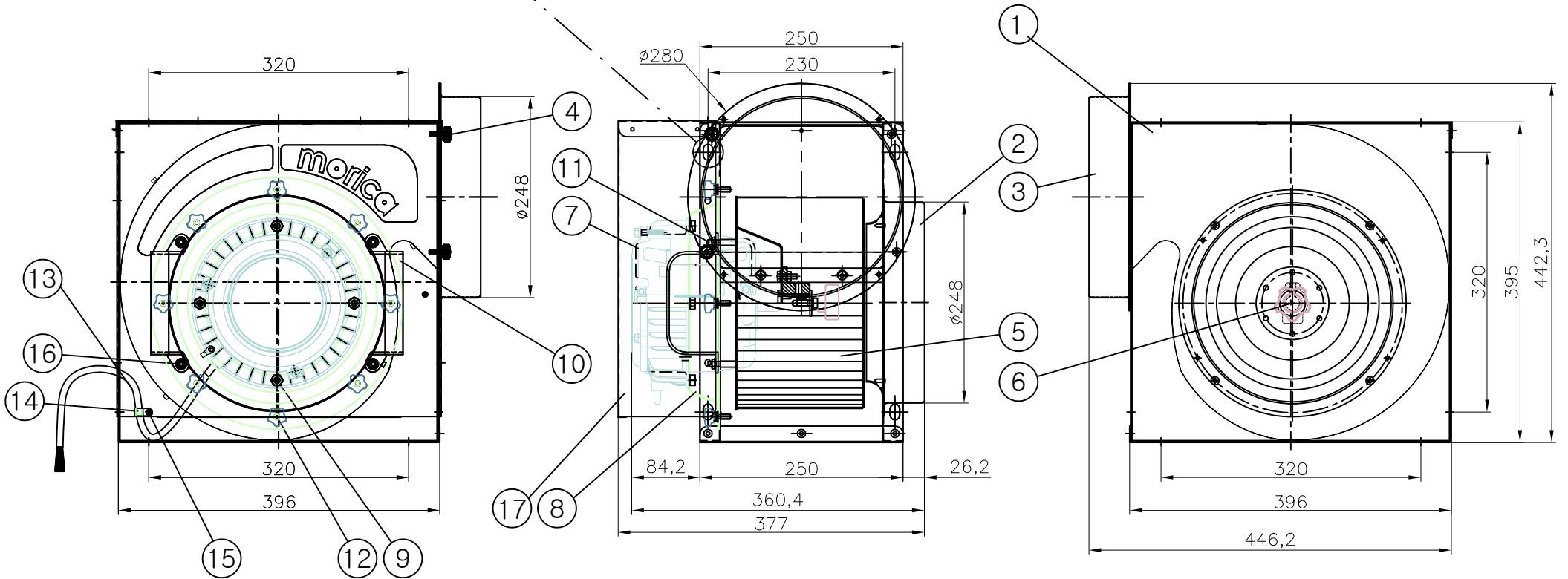


NO	NAME OF PART	STANDARD or DRAW NO.	Q'TY	REMARK	NO	NAME OF PART	STANDARD or DRAW NO.	Q'TY	REMARK
11	Circular Support Bolt	D01028U02C	4		1	Casing	D01028B00C	1	
12	Fixing Base Handle Bolt	D01028U03C	8		2	Inlet Flange	D01028F01C	1	
13	Power Wire	D01028Y01T	1		3	Outlet Flange	D01028F00C	1	
14	Cable Clamp	5N	3		4	Flange Handle Bolt	M5	2	
15	Fixing Screw	M4	14		5	Impeller	D01028I00C	1	
16	Flange Nut	M6	4		6	Impeller Handle Bolt	D01028U01C	1	
17	Motor Rainproof Cover	D01028C01C	1		7	Motor	D01028M01T	1	200V 50/60Hz
18					8	Motor Fixing Base	D01028S01T	1	
19					9	Motor Fastening Bolt	M8	4	
20					10	Safety Handle	D01028S02C	2	



Detail Of Mounting Hole



モリカプロジェクト株式会社 MoricaProject Inc.					TITLE Total Ass'y  DRAW NO. —
SCALE.	DRAFTING.	DESIGN.	CHECK.	APPROVED.	
N/S	K.O.M				
UNIT.	DATE.	2021.10.27			
1	Revision history	Rev DATE.	DRAFTING	CHECK	APPROVED

SB-30T1

Total Ass'y

1	Revision history	Rev DATE.	DRAFTING	CHECK	APPROVED
---	------------------	-----------	----------	-------	----------